

7224 End Window-Alpha-Beta-Gamma Detector***GENERAL SPECIFICATIONS***

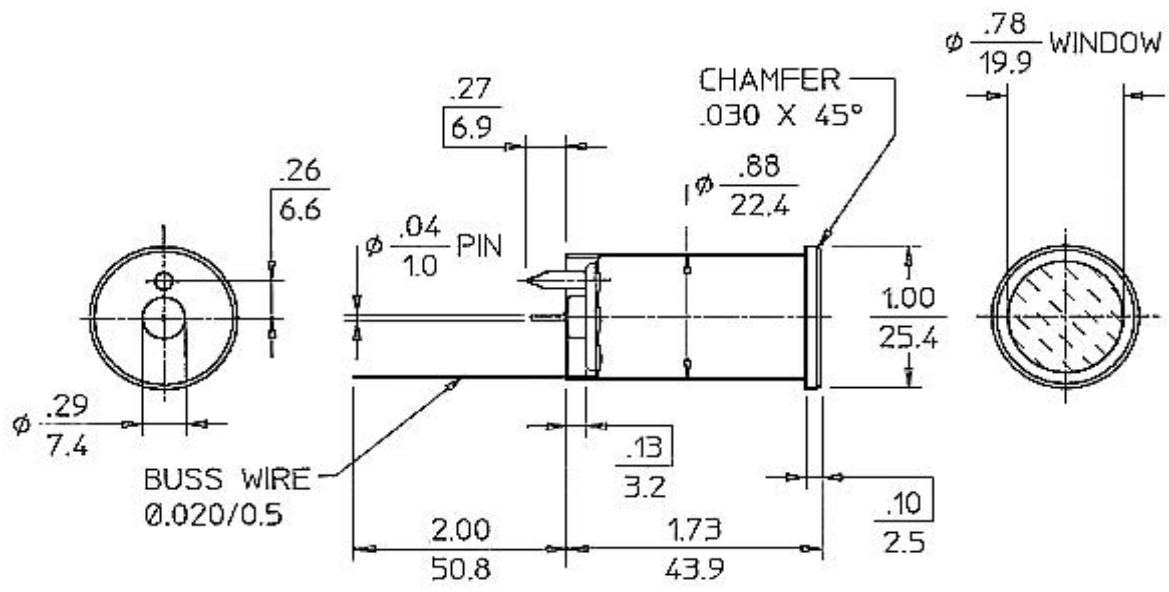
Gas filling	Ne +Halogen
Cathode material	446 Stainless Steel
Maximum length (inch/mm)	2.0/50.8
Effective length (inch/mm)	1.46/37.1
Maximum diameter (inch/mm)	1.0/25.4
Effective diameter (inch/mm)	0.78/19.9
Connector	Pin
Operating temperature range °C	-40 to +75

WINDOW SPECIFICATIONS

Areal density (mg/cm ²)	1.5 - 2.0
Effective diameter (inch/mm)	0.78/19.9
Material	Mica

ELECTRICAL SPECIFICATIONS

Recommended anode resistor (meg ohm)	4.7
Maximum starting voltage (volts)	350
Recommended operating voltage (volts)	500
Operating voltage range (volts)	450 - 700
Maximum plateau slope (%/100 volts)	5
Minimum dead time (micro sec)	160
Gamma sensitivity Co60 (cps/mr/hr)	32
Tube capacitance (pf)	3
Weight (grams)	34
Maximum background shielded 50mm Pb + 3mm Al (cpm)	15
Minimum anode resistor (meg ohm)	2.7



GAMMA SENSITIVITY

TUBE TYPE - 7224

